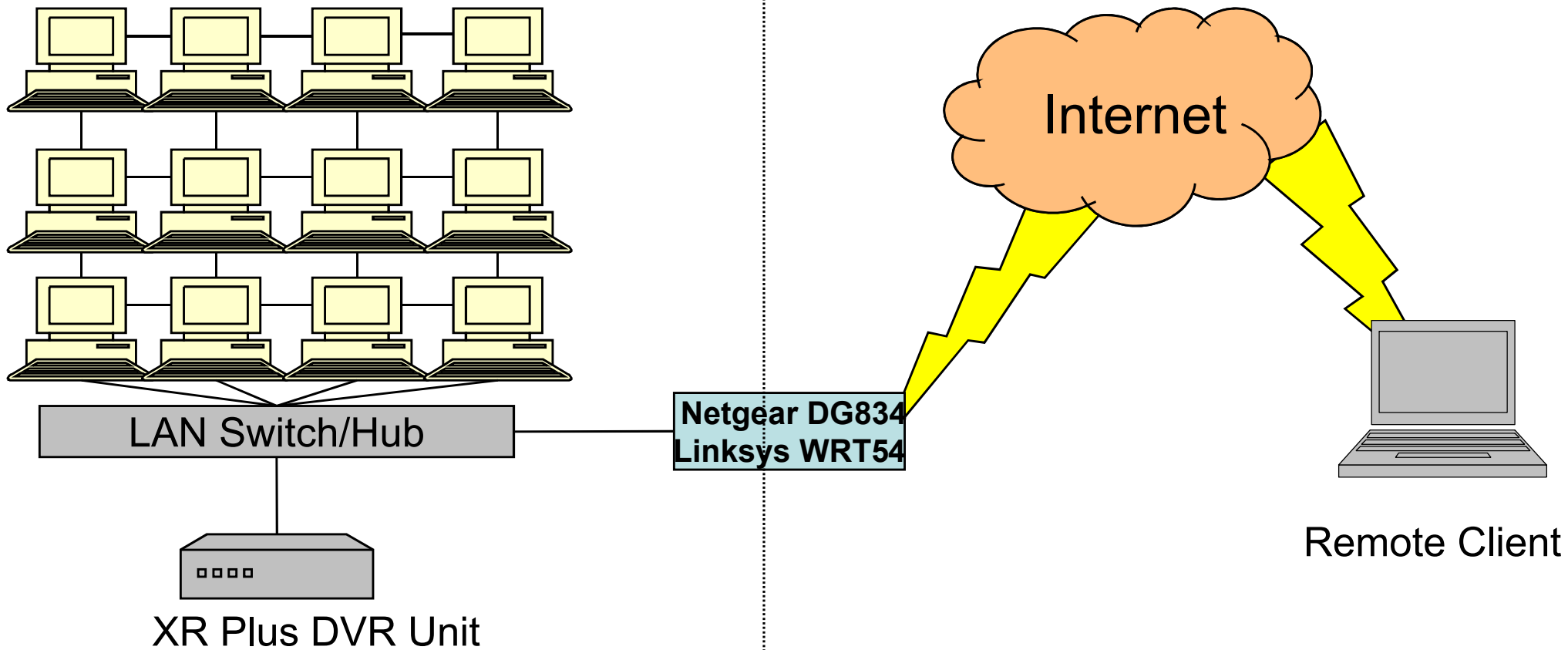




Remote Access Using a Netgear DG834 Router or a Linksys WRT54GX2 Router

Pre-Requisites

- IT Personnel Permission
- IP Address of XR Plus DVR
- Port Number used to access XR Plus DVR
- Internal (Private) IP Address of DG834 or WRT54GX2
- External (Public) IP Address of DG834 or WRT54GX2
- Username and Passwords for both the XR Plus DVR and Router unit

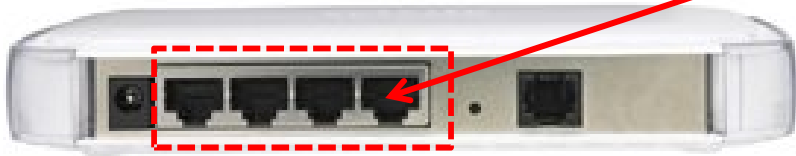


Local Area Network (LAN)
Private IP Addresses

<http://www.shqusa.com>

Wide Area Network (WAN)
Public IP Addresses

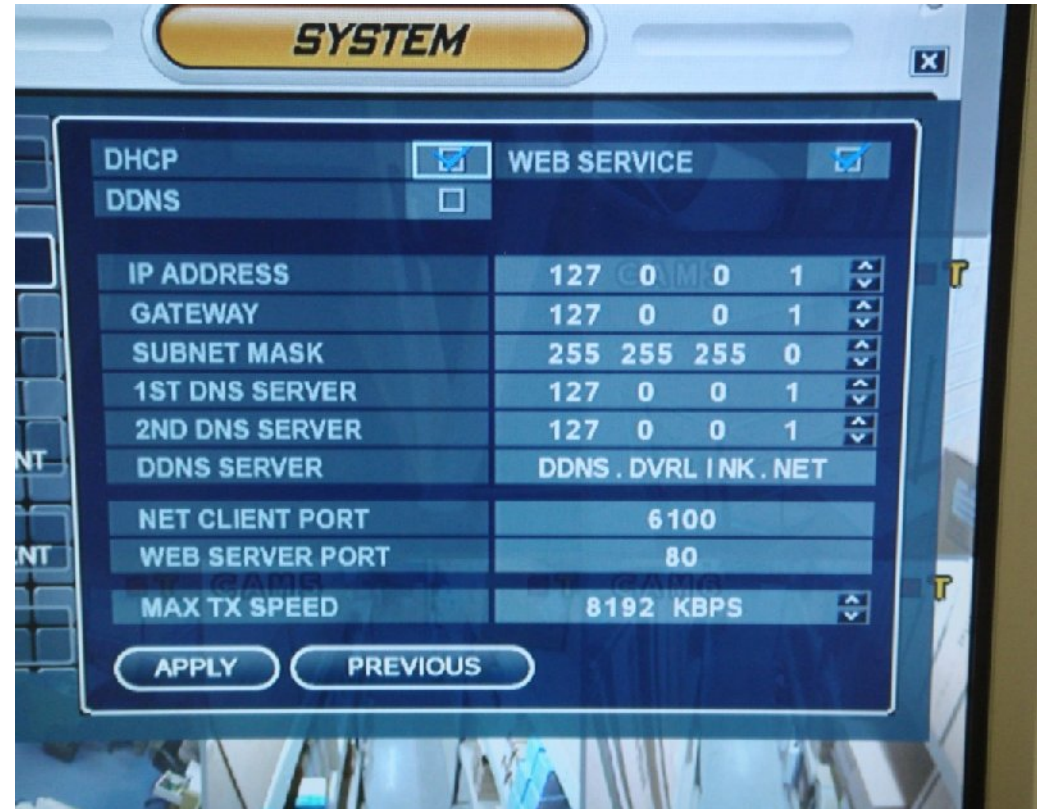
Connections



Create a connection between the DVR and the Netgear router using a standard CAT5 cable. You can use any free port on the router

XR Plus DVR Setup Page

- Press the “Setup” button on the front of the XR Plus
- Enter the password
- Select “System Setup” and press the enter key (↵)
- Click on “System”
- Then move down & select “Network”
- Set the IP address, Gateway and Subnet mask for the XR Plus and make sure “DHCP” is unchecked
- Make a note of port numbers being used.
- Defaults are:
 - Net Client Port – 6100
 - Web Server Port – 80
- If you want the DVR to pick up the Network address automatically then:
- Check DHCP
- Connect DVR to Router
- Restart DVR. DVR should pick up the Router address. If not, Turn off router for 5 minutes then power up again. Restart process.
- Uncheck DHCP.
- Restart DVR.
- If you are using Dynamic IP then Check DDNS and Restart DVR.
- You can then change the ports or the IP address.
- Then do port forward.

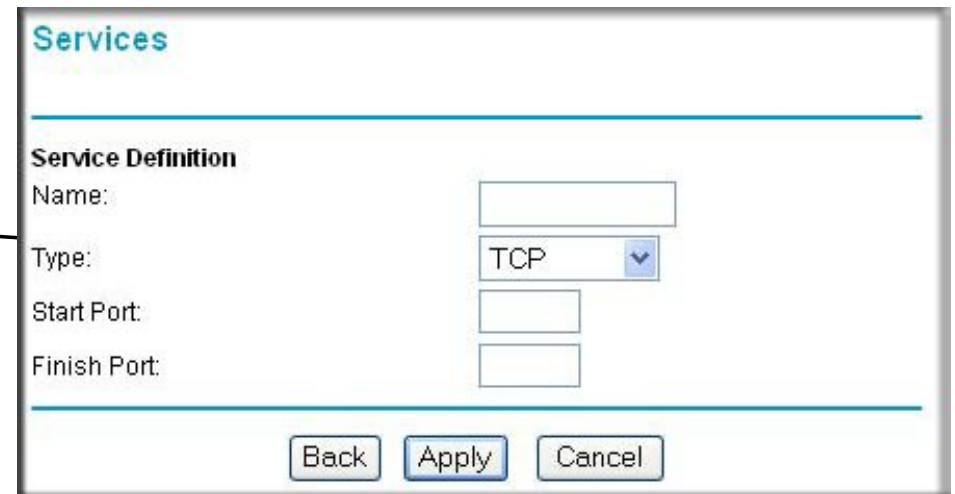


Opening Ports on DG834

- Accessed by typing the IP address of DG834 into Internet Explorer on a LAN connected PC/Laptop
- Click on “Services” to open the relevant ports.
- Click “Add Custom Service” and fill in the details as follows

Name: DVR
Type: TCP/UDP(Both)
Start Port: 6100
Finish Port: 6100

- Then Click “Apply”



The screenshot shows a web interface for configuring services. The title is "Services". Below it, there is a section titled "Service Definition" with the following fields:

- Name:
- Type: (dropdown menu)
- Start Port:
- Finish Port:

At the bottom of the form, there are three buttons: "Back", "Apply", and "Cancel".

Port Forwarding on DG834

- Still in the Netgear admin page, click on “Firewall Rules”
- Click on the “Add” button at the very bottom of this page, to add a rule under “Inbound Services” and fill out the details as follows:

Service: DVR(TCP/UDP:6100)

Action: ALLOW(ALWAYS)

Send to LAN Server: **“THE IP ADDRESS OF XR Plus DVR GOES HERE”**

WAN Users: ANY

LOG: Always

- Then Click “Apply”
- Click the “Add” at the bottom of the page again and fill out the following details:

Service: HTTP(TCP/UDP:80)

Action: ALLOW(ALWAYS)

Send to LAN Server: **“THE IP ADDRESS OF XR PLUS DVR GOES HERE”**

WAN Users: ANY

LOG: Always

- Then Click “Apply”
- You should now see these 2 new rules under “Inbound Services”

Inbound Services

Service: HTTP(TCP:80)

Action: ALLOW always

Send to LAN Server: 192 . 168 . 0 . 99

WAN Users: Any

start: 0 . 0 . 0 . 0

finish: 0 . 0 . 0 . 0

Log: Never

Back Apply Cancel

Port Forwarding on Linksys WRT54GX2

- Type in the Router IP address and login. Click on “Applications and Gaming”
- Application: DVR
Protocol: Both(TCP/UDP:8080)
Start to End: 8080. Typically you would choose “888”, “8888”, “8080”, Generally any number greater than 1024 will do.
above
IP Address: **“THE IP ADDRESS OF XR PLUS DVR GOES HERE”**
Check “Enable”
- Application: DVR1
Start to End: 6100
Protocol: Both(TCP/UDP:6100)
IP Address: **“THE IP ADDRESS OF XR Plus DVR GOES HERE”**
Check “Enable”
- Click “Save Settings”

LINKSYS®
A Division of Cisco Systems, Inc. Firmware Version: 1.01.06

Applications & Gaming

Setup Wireless Security Access Restrictions Applications & Gaming Administration Status

Port Range Forward Port Triggering DMZ CoS

Port Range Forward


Port Range					
Application	Start	End	Protocol	IP Address	Enable
DVR	8080	to 8080	BOTH	192.168.1.110	<input checked="" type="checkbox"/>
DVR1	6100	to 6100	BOTH	192.168.1.110	<input checked="" type="checkbox"/>
	0	to 0	TCP	192.168.1.0	<input type="checkbox"/>
	0	to 0	TCP	192.168.1.0	<input type="checkbox"/>
	0	to 0	TCP	192.168.1.0	<input type="checkbox"/>
	0	to 0	TCP	192.168.1.0	<input type="checkbox"/>
	0	to 0	TCP	192.168.1.0	<input type="checkbox"/>
	0	to 0	TCP	192.168.1.0	<input type="checkbox"/>

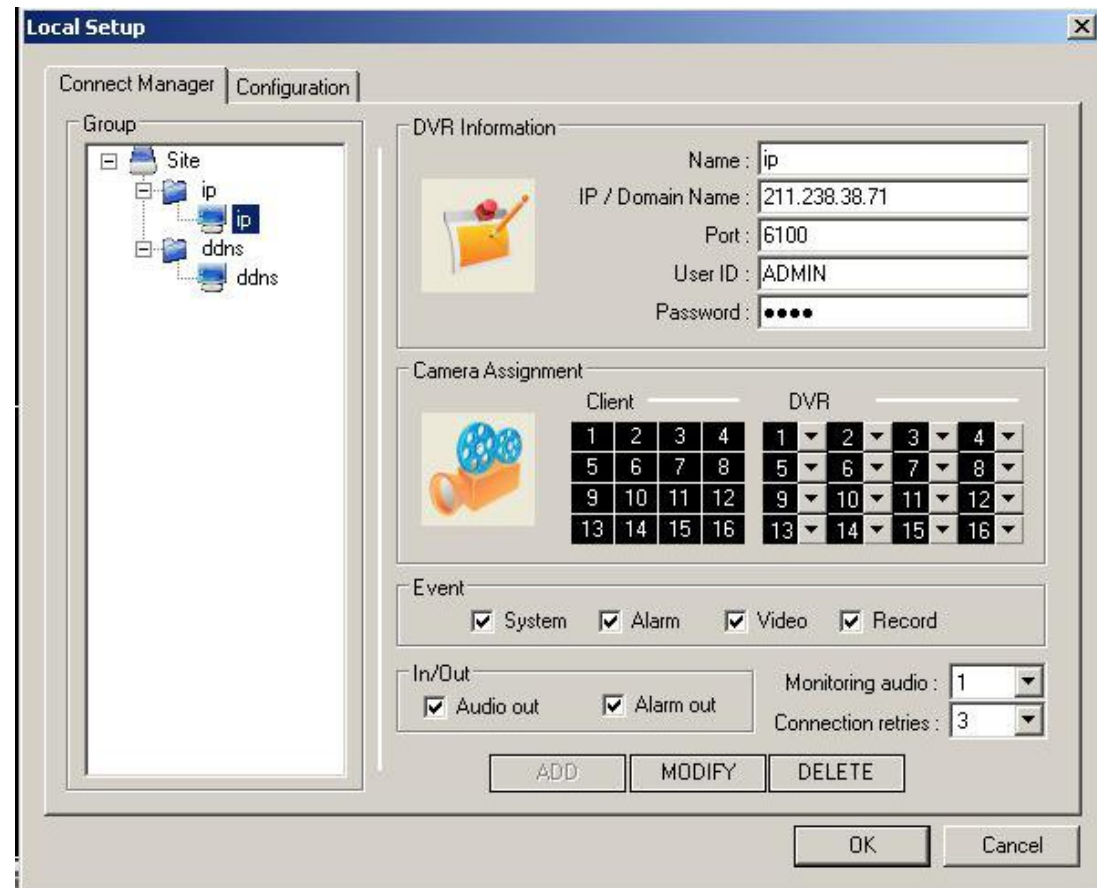
Port Range Forwarding:
Certain applications may require to open specific ports in order for it to function correctly. Examples of these applications include servers and certain online games. When a request for a certain port comes in from the Internet, the router will route the data to the computer you specify. Due to security concerns, you may want to limit port forwarding to only those ports you are using, and uncheck the Enable checkbox after you are finished. More...

Save Settings Cancel Changes

CISCO SYSTEMS

Configuring Remote Agent Software

- Click on the “spanner” icon  in Remote Agent Software to setup connection
- Right Click on “Site” and choose “Add Group” and choose a group name
- Complete the DVR information
- Select which cameras to display in “Camera Assignment”
- Click “Add” when finished to save your settings
- To connect, select the site from the drop down box and click on the connect icon



Frequently Asked Questions

- Can I still achieve remote access if I do not have a fixed IP address?
 - Yes, XR Plus DVR's all have a dynamic DNS client installed on them to help with this issue. Follow instructions on page 5.
- Can the CMS software support multiple sites?
 - Yes, the CMS software supports multiple sites and locations.

